

dodson[®]

MODIFICATION INSTRUCTIONS

BMW SUMP PICKUP MODIFICATION

DMS-00-0075 REV 002

12 JUNE 2023

**PREPARED BY: GREG BUCHANAN
DATE: 25MAY23**

**RELEASED BY: J.PISL
DATE: 12JUN23**

AED

REVISION UPDATE NOTES:

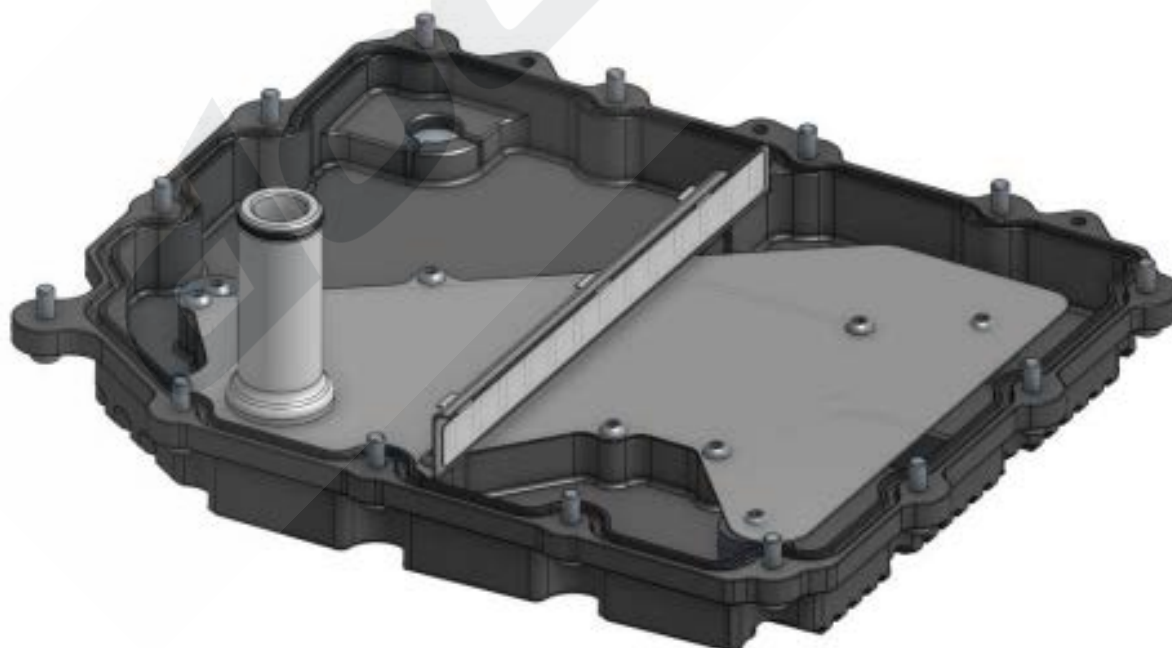
The following table indicates the changes we have made in either the disassembly or assembly of the product you have received. All changes are indicated by a revision bar in the margin.

If you have any questions email us at technical@dodsonmotorsport.com

Revision	Date	Description
REV.002	12JUN2023	<ul style="list-style-type: none">- Updated to new format- Added Important Note about which version of sump these instructions are meant for.
REV.001	28SEP2019	<ul style="list-style-type: none">- Document release

IMPORTANT NOTE

THESE INSTRUCTIONS ARE ONLY TO BE FOLLOWED IF FITTING THE OLDER VERSION OF THE DODSON BMW TRANSMISSION SUMP, WHICH WAS DESIGNED FOR DRAG USE ONLY AND IS PICTURED BELOW.



MODIFICATION INSTRUCTIONS

STEP 1

Clean the pickup with a suitable cleaner



STEP 2

Place the pickup upside down on a bench as per the picture below. Fit the supplied sticker to the pickup and align the lower black line with the edge of the sump. Cut the pickup along the highlighted edge



STEP 3

Confirm there is no debris within the pickup that could have gotten in when making the modification. Clean the pickup thoroughly. The trimmed pickup will now fit with the Dodson Sump.

If you have any questions email us at technical@dodsonmotorsport.com