

# ***dodson***<sup>®</sup>

## **INSTALLATION INSTRUCTIONS**

**DL800 TRANSMISSION SUMP**

**DMS-00-0032 REVISION 003**

**31 MAY 2022**

**PREPARED BY: JAN PISL  
DATE: 19MAY2022**

**RELEASED BY:   
DATE: 31MAY2022**

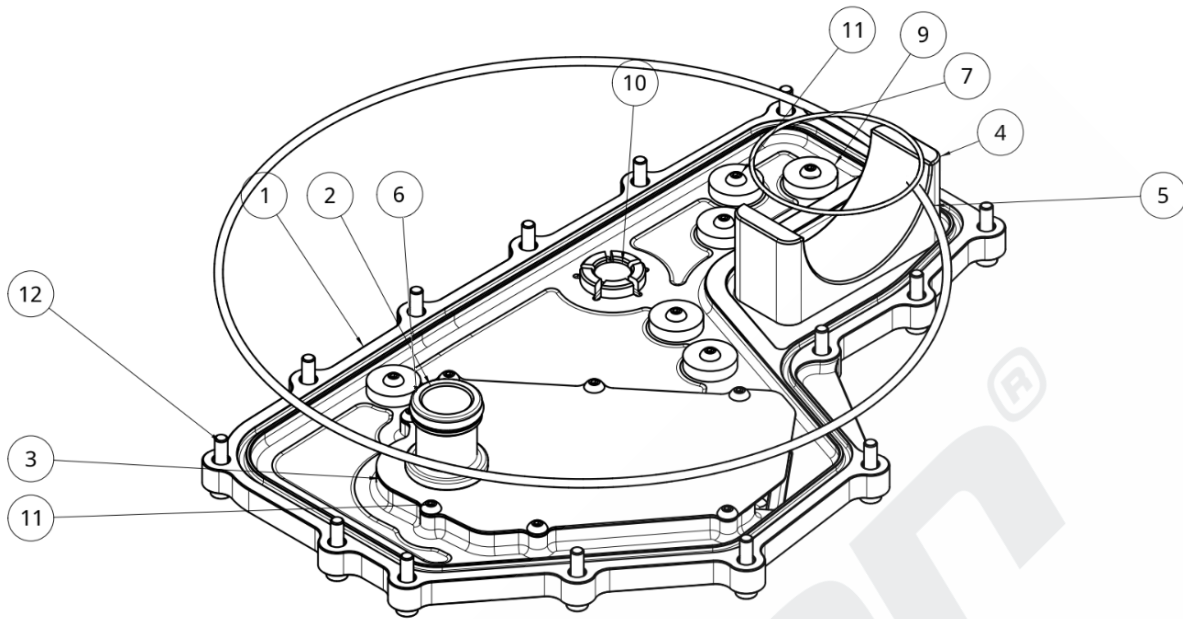
## **REVISION UPDATE NOTES:**

The following table indicates the changes we have made in either the disassembly or assembly of the product you have received. All changes are indicated by a revision bar in the margin.

If you have any questions email us at [technical@dodsonmotorsport.com](mailto:technical@dodsonmotorsport.com)

<b>Revision</b>	<b>Date</b>	<b>Description</b>
REV.003	19MAY2022	<ul style="list-style-type: none"><li>- Revised formatting.</li><li>- Updated contents list and photo.</li></ul>
REV.002	02SEP2021	<ul style="list-style-type: none"><li>- Updated to new format</li></ul>

## DMS-7186 SUMP UPGRADE CONTENTS



Item Number	Part Name	DMS Code	Qty
1	Transmission Sump	DMS-6181	1
2	Filter Top	DMS-6182	1
3	Filter Cover	DMS-6183	1
4	Gear Shroud	DMS-6184	1
5	Sump O-Ring	DMS-1975	1
6	Filter Top O-Ring	DMS-1976	1
7	Gear Shroud O-ring	DMS-1977	1
8	Sump Filter	DMS-2807	1
9	Magnets	DMS-6131*	6
10	Drain Plug	DMS-0607	1
11	Filter Cover/Magnet Bolts (M5x0.8x8)	DMS-0021	13
12	Sump Bolts (M6x1x25)	DMS-0023	15
13	Gear Shroud Bolts	DMS-0104	4

\*Depending on magnet configuration, the kit may include QTY 6 DMS-0018 Washers.

## **DL800 SUMP INSTALLATION INSTRUCTIONS**

### **STEP 1**

Install the Filter Cover and the Gear Shroud onto the sump pan as pictured below

Make sure the gear shroud gets the DMS-1977 O-ring and the 4 DMS-0104 countersunk screws to install.



### **STEP 2**

Raise the vehicle and remove the undertrays to get access to the transmission sump.

Drain the fluid from the transmission, being careful to catch all of it if you plan to reuse it.

## **STEP 3**

Remove the T30 bolts from the transmission sump.

The plastic sump should come off easily.



## **STEP 4**

Ensure the DMS-1975 Sump O-ring is set in the groove in the DMS sump pan, a little oil on the filter top O-ring is recommended to ease the installation.



## STEP 5

Line up the filter top into the valve body and press into place.



## STEP 6

Fasten all the bolts around the outside to finger tight. **Torque the bolts to 12Nm in a star pattern.**

## STEP 7

Tighten the drain plug and torque to **12Nm**.



## **STEP 8**

Fill the transmission with fluid and carry out a fluid level check procedure. Once completed, re-install the undertrays.



If you have any questions email us at [technical@dodsonmotorsport.com](mailto:technical@dodsonmotorsport.com)